

Diffusion filter

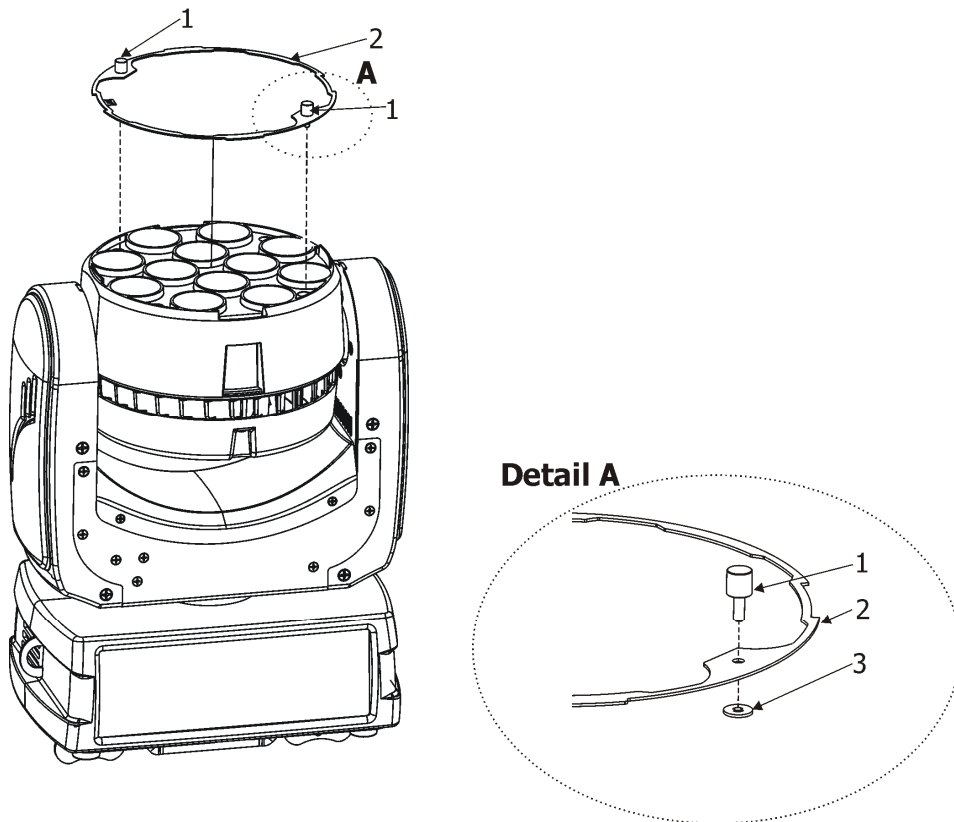
Installation instructions

The Diffusion filter set includes:

- 1 x holder with diffusion filter
- 2x screw
- 2x securing washer

1. Disconnect the fixture from mains.

2. Insert two screws (1) into holder with diffusion filter (2) and secure them with securing washers (3).



3. Screw the holder (3) to the head with two screws (1).