
Technical Bulletin 56

BMFL Beam Exposure Protection

Version 1.0.0



Technical Center

Abstract

This bulletin describes additional techniques to prevent externally caused damage to the BMFL internal parts.

1. Introduction	1
2. Recommended usage pattern	1
3. Software update to enable Home position	2
4. Hardware modification	2
A. Revision History	3

1. Introduction

User manual for every BMFL fixture warns strongly against externally caused damage to the internal parts:

CAUTION!
To avoid damage of the internal parts of the fixture head, never let the sunlight or other fixture's lights directly to the front lens , even when the fixture is not working !

In order to minimize impact of possible sun damage when fixtures are switched off, we have added Home position settings which can be called via DMX before units are powered off. The Home position will move all optical elements towards the front lens, allowing gravity to tilt the head down, rather than pointing up to the sky.

The Home position setting is located on the channel Power/Special functions, as values:

- 70-74 Home position on
- 75-79 Home position off

To activate these functions, stop in required DMX value for at least 3 seconds, while shutter must also be closed at least 3 seconds. (Channel Shutter/Strobe must be set to range: 0-31 DMX).

2. Recommended usage pattern

Before powering the rig off, switch lamps off and trigger the **Home position on** function via DMX by setting channel Power/Special to range 70-74 (Home position on) and by setting channel "Shutter,Strobe" to range: 0-31 (Shutter closed).

3. Software update to enable Home position

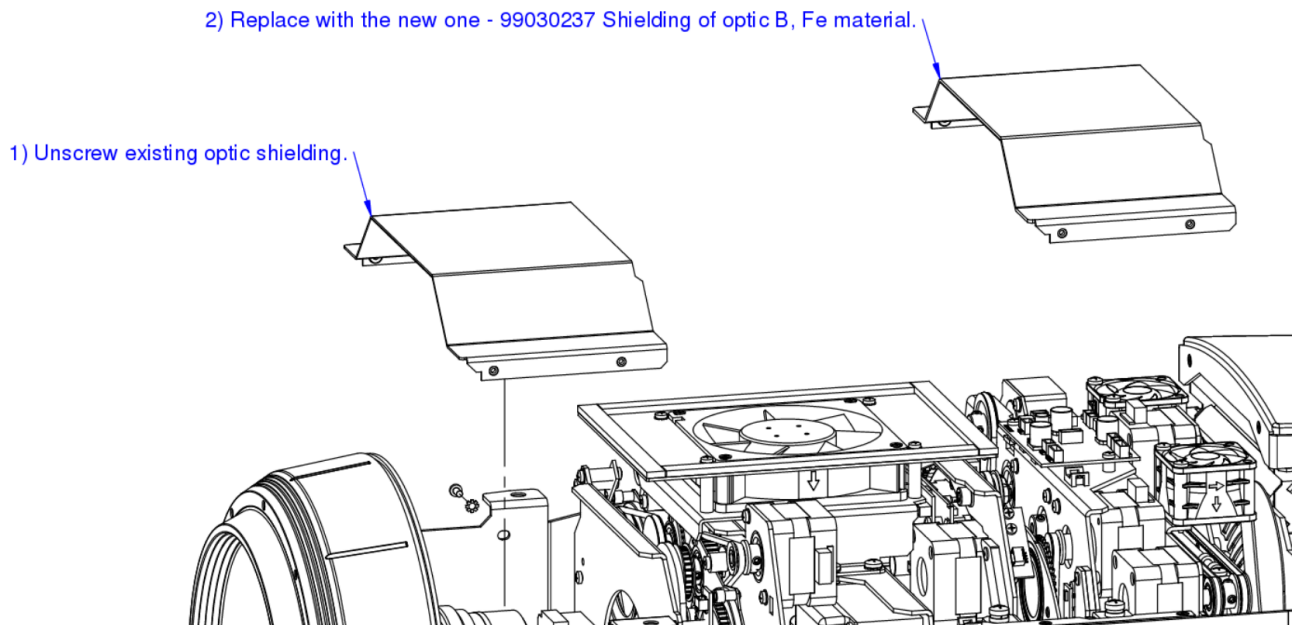
Home position setting was introduced in the following versions of software update, older units need to have software updated to get these features.

Fixture	DSU version	Display version	Standard since serial
BMFL Spot	16110742	V3.8/DS	1600553297
BMFL Blade	16110751	V2.2/DS	1600551875
BMFL Wash	16110758	V1.5/DS	1600559733
BMFL WashBeam	16110438	V1.6/DS	1700504852
BMFL WashBeam EV	16110743	V1.3/DS	1600557211

4. Hardware modification

Besides software update, the Robin BMFL Blade as the only fixture required hardware modification to keep the head correctly tilting down when powered down. For the rest of the BMFL series only software update is needed.

The internal metal cover on the BMFL Blade is now made of thicker material to ensure correct front weight. This change was introduced starting from serial **1600550392**. Ordering code for this cover is **99030237**.



A. Revision History

Revision 1.0-0 **Sun Feb 5 2017**

Petr Vanek

support@robelighting.jitbit.com

Initial release