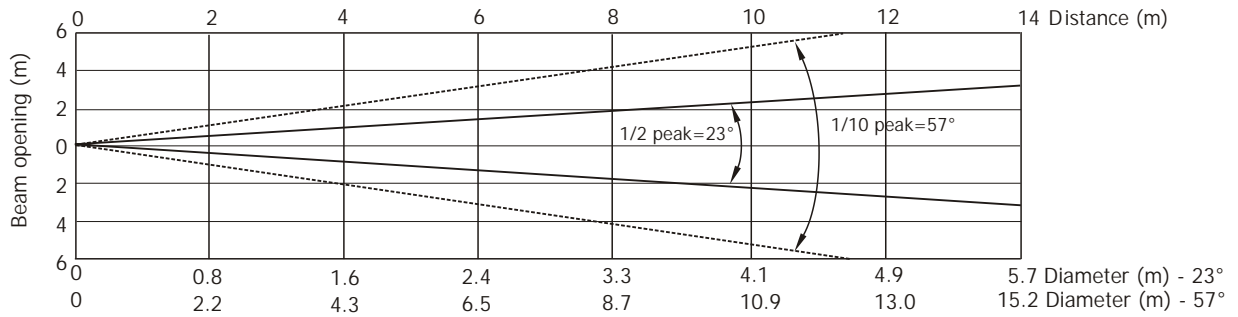


Robin Perfect S1 6000K

Photometric Diagram

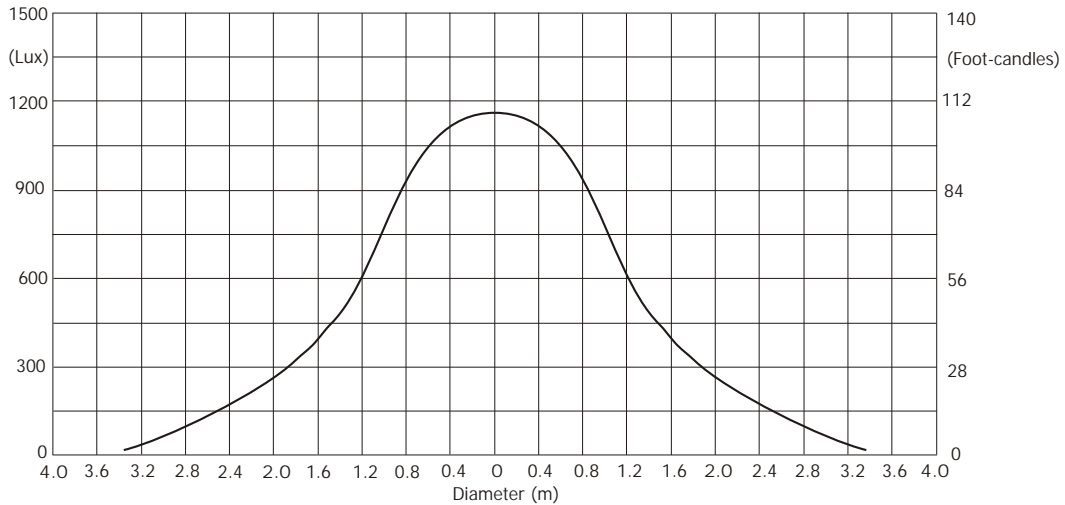
Without diffuser
Total Output: 8130 lumens



Distance (m)	2	4	5	6	8	10	12	14	
White 6000K	7375/685	1844/171	1180/110	819/76	461/43	295/27	205/19	150/14	Intensity (center) Lux/Footcandles

Illuminance distribution

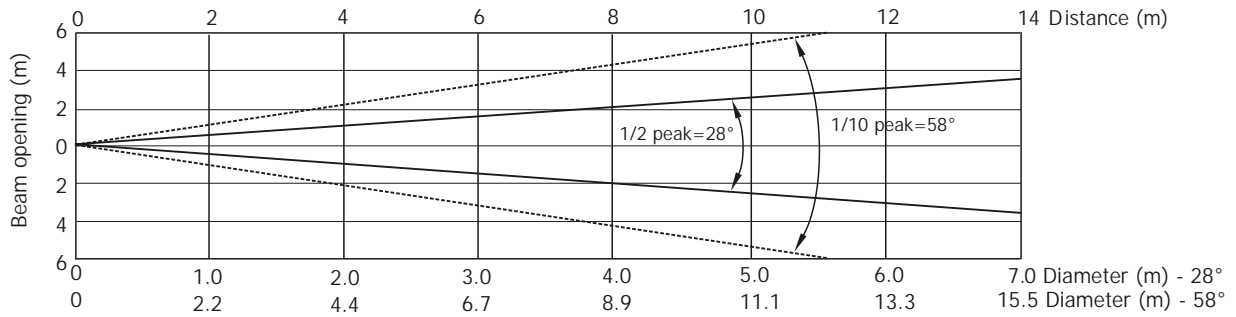
Distance=5m



Robin Perfect S1 6000K

Photometric Diagram

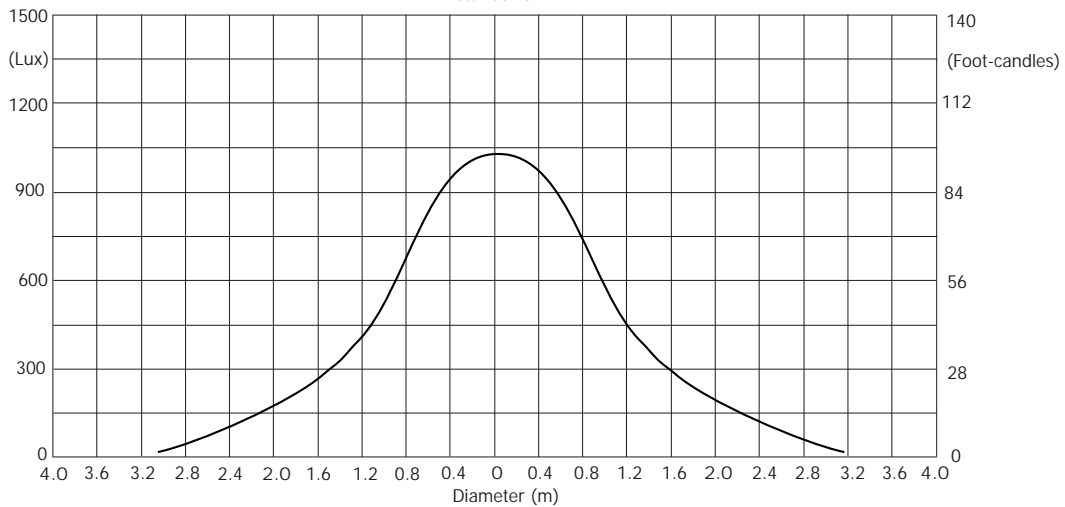
Diffuser 28°



Distance (m)	2	4	5	6	8	10	12	14	
White 6000K	6250/581	1563/145	1000/93	694/65	391/36	250/23	174/16	128/12	Intensity (center) Lux/Footcandles

Illuminance distribution

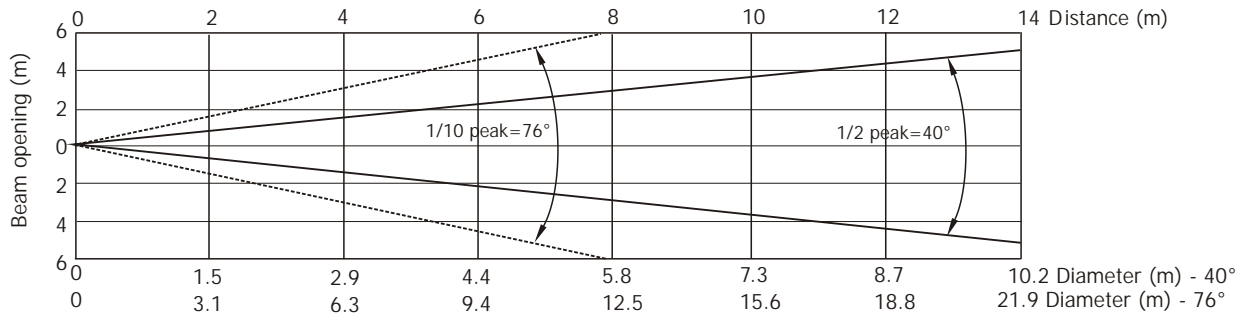
Distance=5m



Robin Perfect S1 6000K

Photometric Diagram

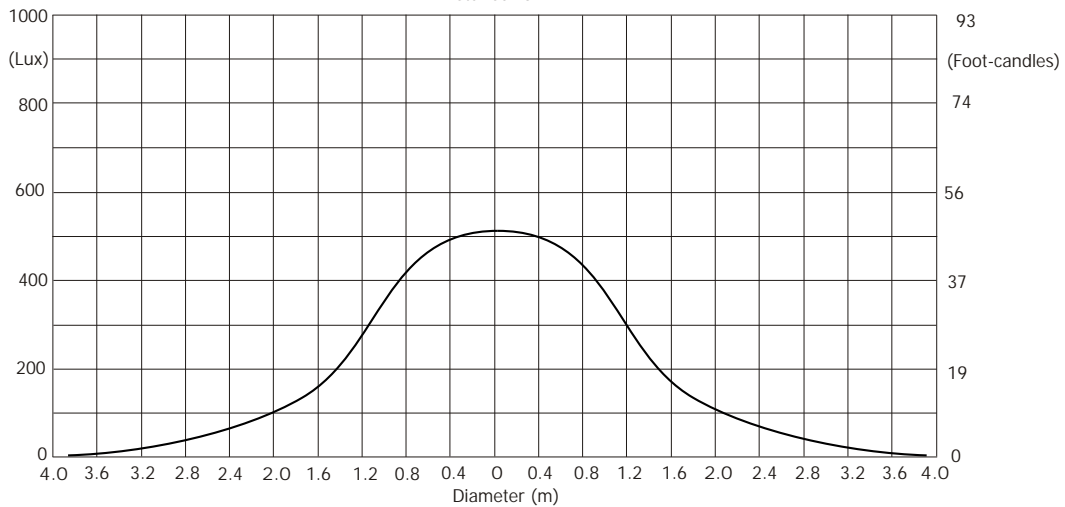
Diffuser 40°



Distance (m)	2	4	5	6	8	10	12	14	
White 6000K	3206/298	802/75	513/48	356/33	200/19	128/12	89/8	65/6	Intensity (center) Lux/Footcandles

Illuminance distribution

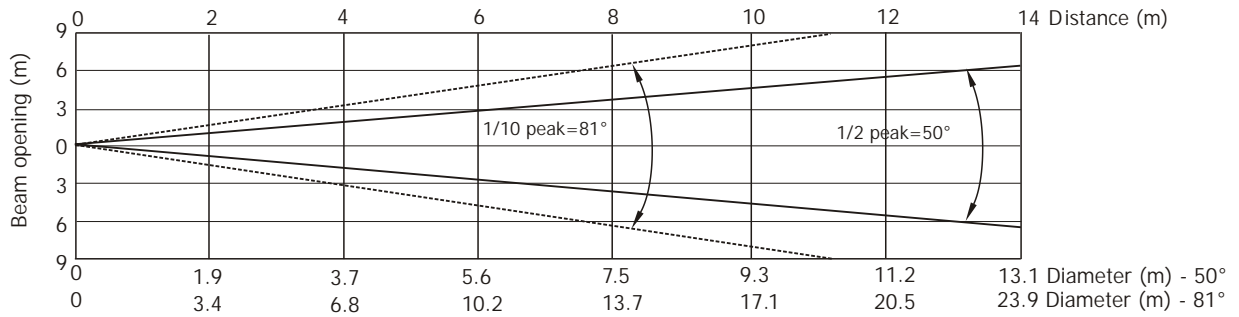
Distance=5m



Robin Perfect S1 6000K

Photometric Diagram

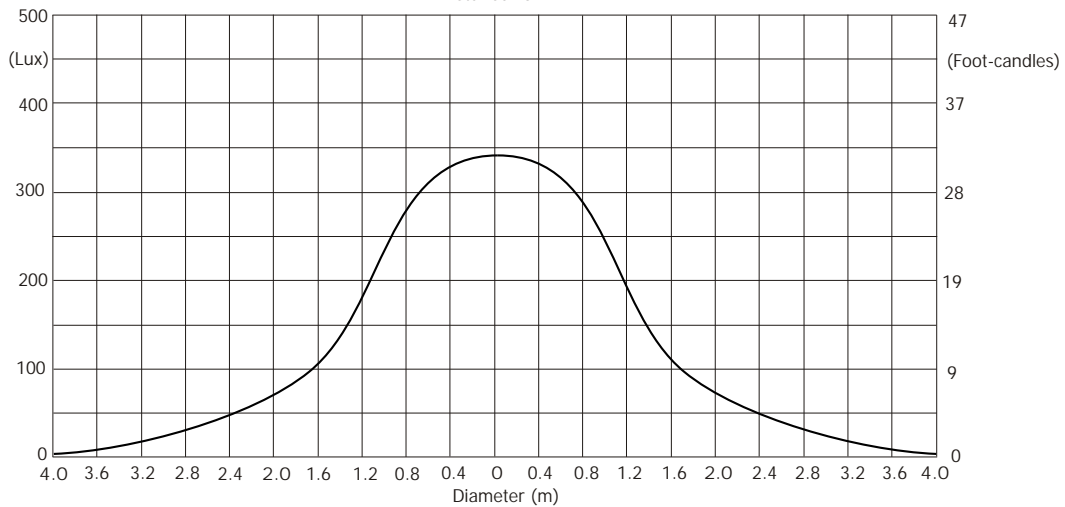
Diffuser 50°



Distance (m)	2	4	5	6	8	10	12	14	
White 6000K	2156/200	539/50	345/32	240/22	135/13	86/8	60/6	44/4	Intensity (center) Lux/Footcandles

Illuminance distribution

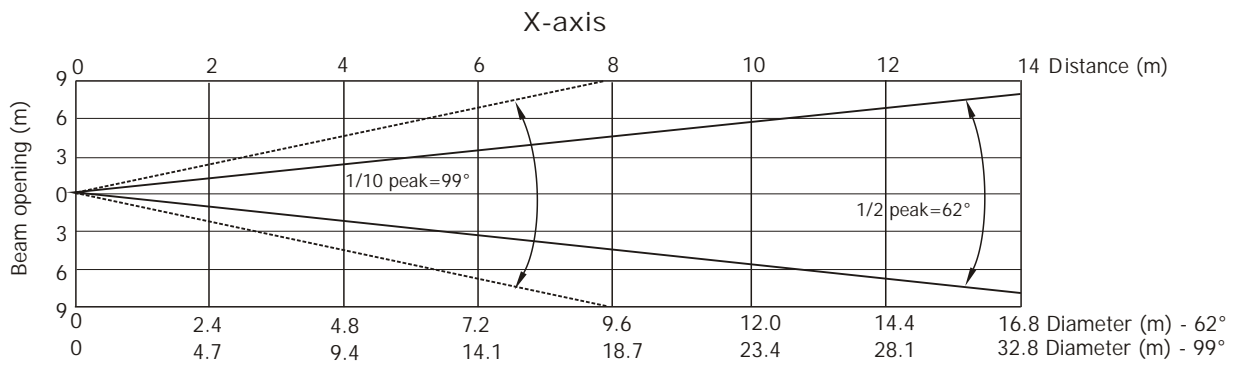
Distance=5m



Robin Perfect S1 6000K

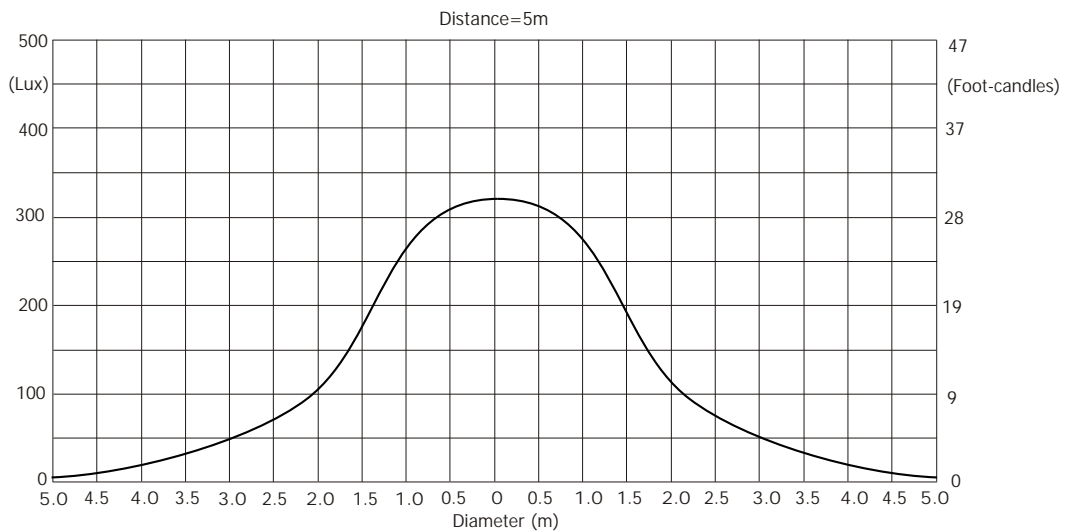
Photometric Diagram

Diffuser 62°x46°



Distance (m)	2	4	5	6	8	10	12	14	
White 6000K	2031/189	507/47	325/30	226/21	127/12	81/8	56/5	42/4	Intensity (center) Lux/Footcandles

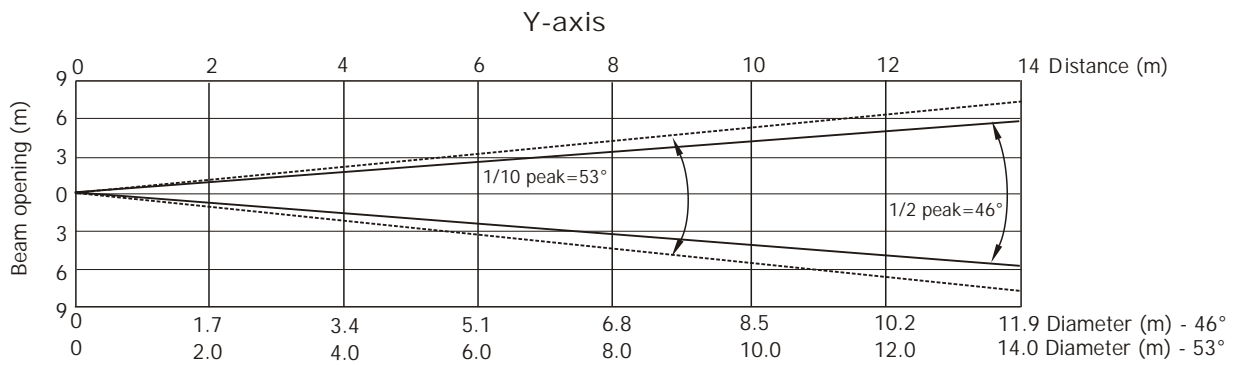
Illuminance distribution in X-axis



Robin Perfect S1 6000K

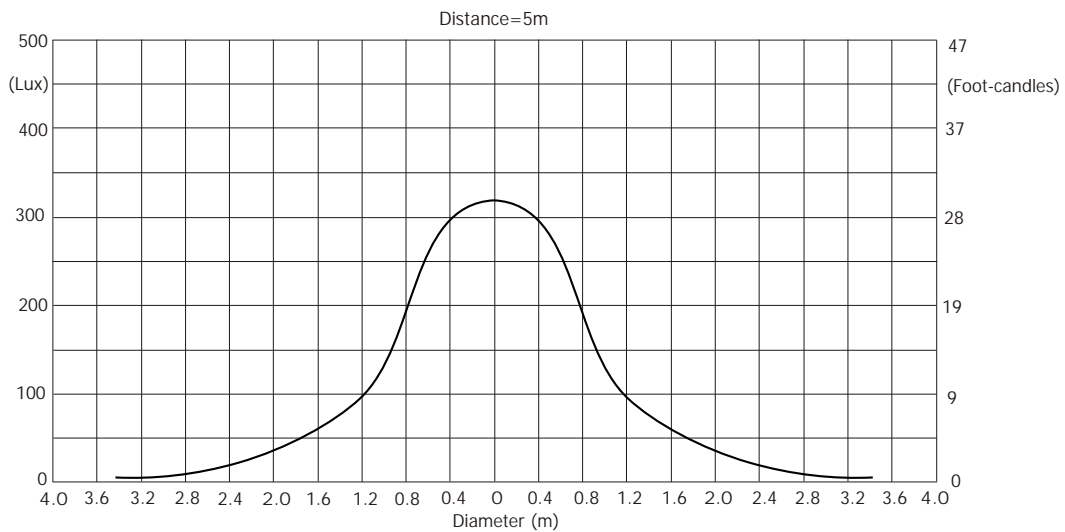
Photometric Diagram

Diffuser 62°x46°



Distance (m)	2	4	5	6	8	10	12	14	
White 6000K	2031/189	507/47	325/30	226/21	127/12	81/8	56/5	42/4	Intensity (center) Lux/Footcandles

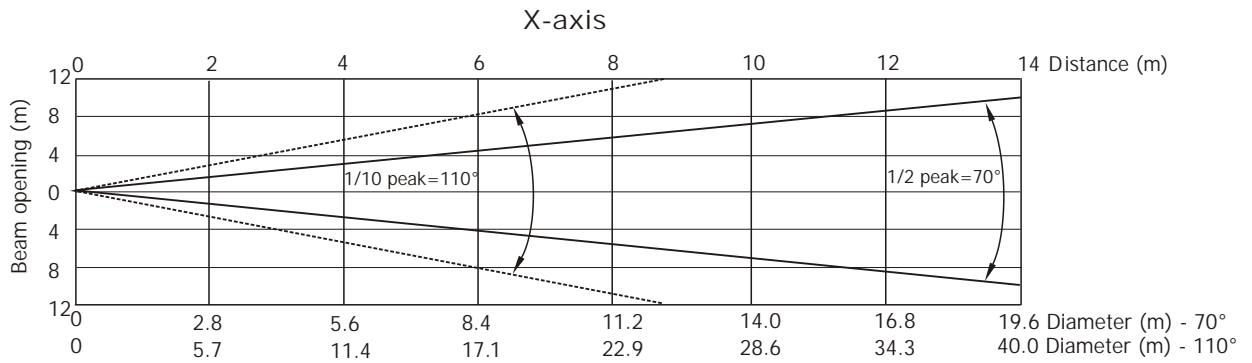
Illuminance distribution in Y-axis



Robin Perfect S1 6000K

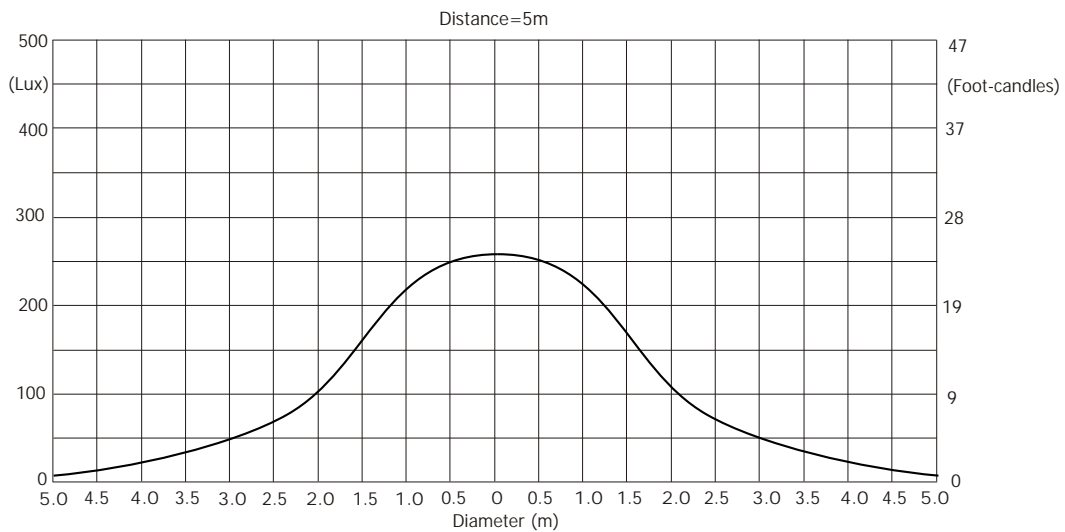
Photometric Diagram

Diffuser 70°x48°



Distance (m)	2	4	5	6	8	10	12	14	
White 6000K	1594/148	398/37	255/24	177/17	100/9	64/6	44/4	33/3	Intensity (center) Lux/Footcandles

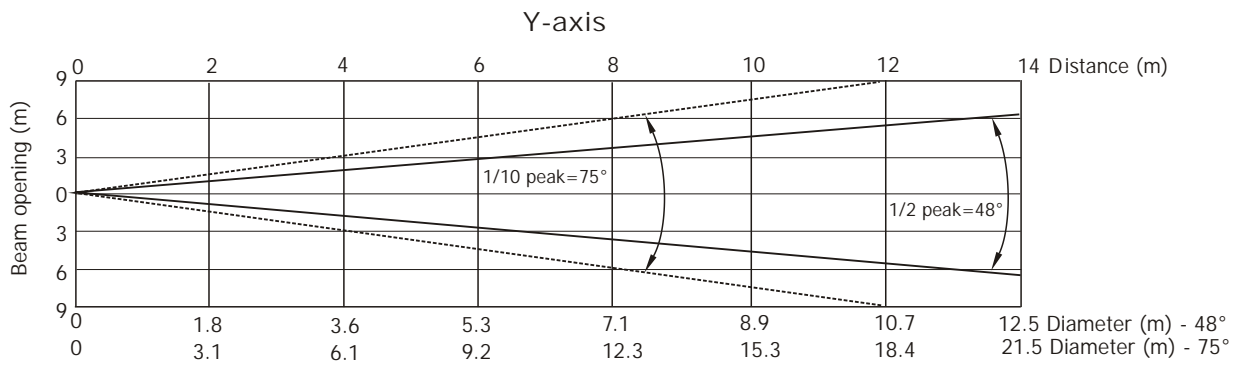
Illuminance distribution in X-axis



Robin Perfect S1 6000K

Photometric Diagram

Diffuser 70°x48°



Distance (m)	2	4	5	6	8	10	12	14	
White 6000K	1594/148	398/37	255/24	177/17	100/9	64/6	44/4	33/3	Intensity (center) Lux/Footcandles

Illuminance distribution in Y-axis

