

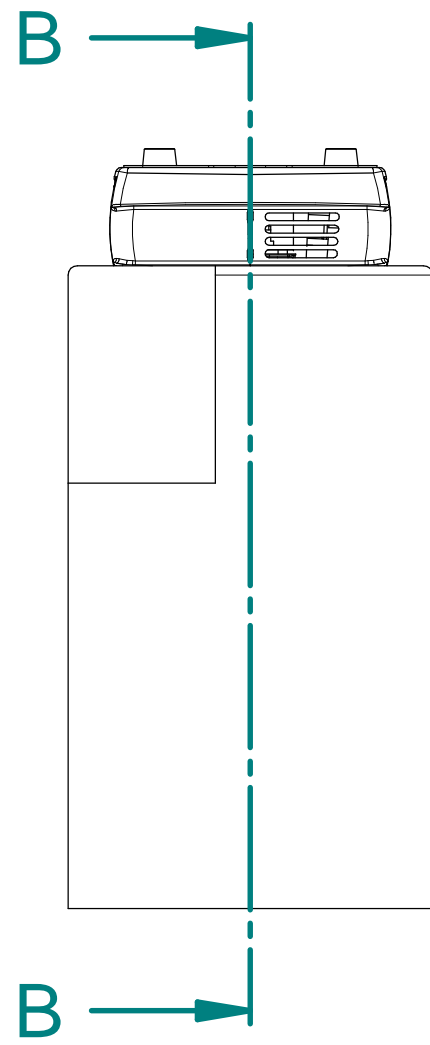
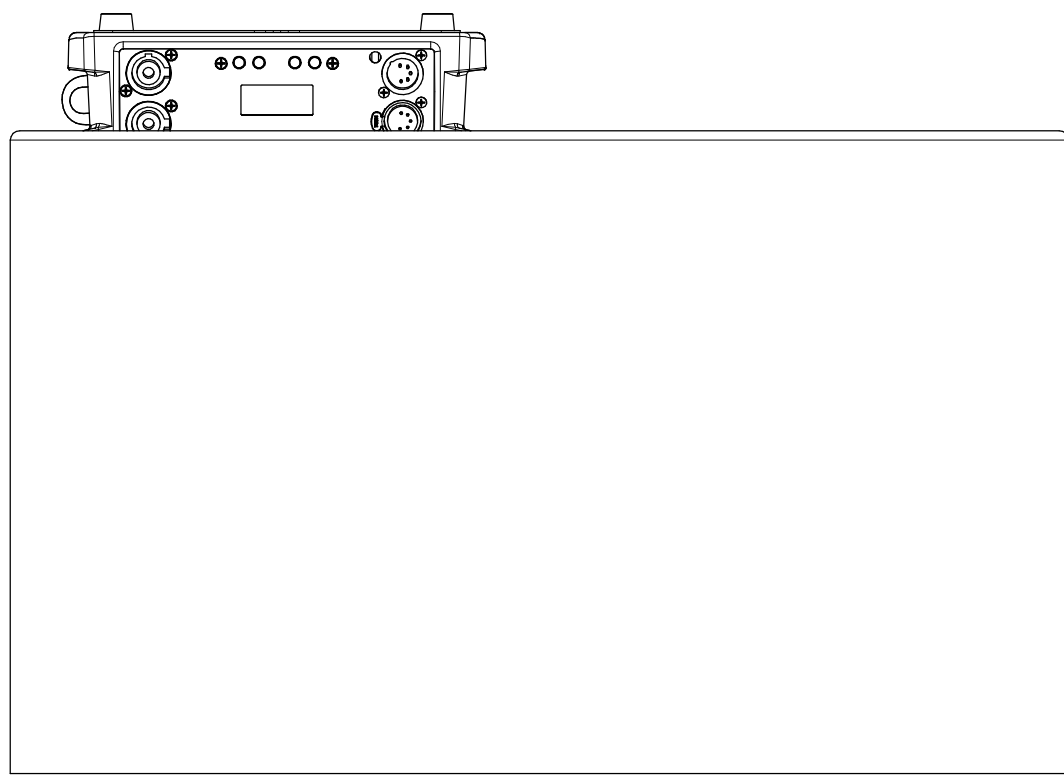
Unprescribed shape and dimensions acc. to 3D in tol. +-0,05.General tolerances acc. to ISO 2768mK.The external shape without overflows.

Must be in accordance with directive 2002/95/EC (RoHS)

The drawing is the property of ROBE lighting s r.o., Czech Republic and must not be transferred, lent or reproduced without an explicit written permission from the company.

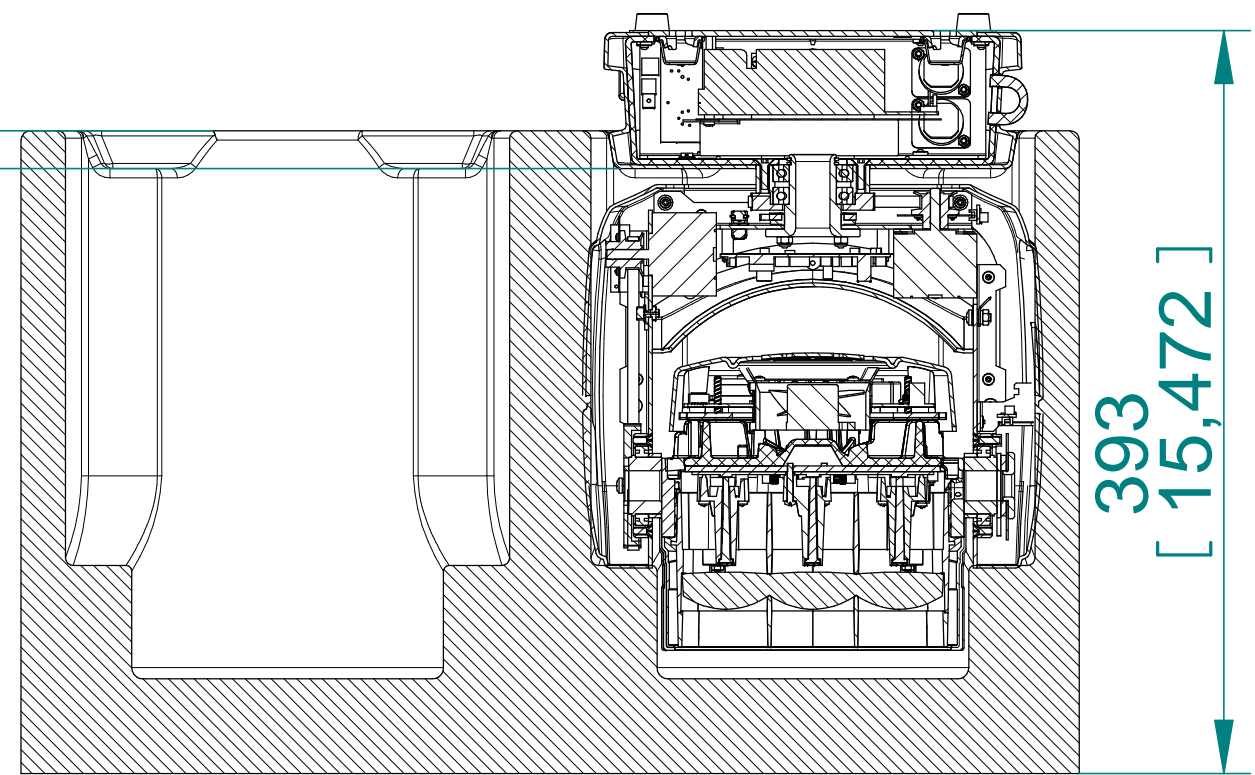
Device name: <b>LB 150</b>				Drawn: <b>Oldřich Juřica</b>		
Revision Nr.	Date	Approved	Revision Nr.	Date	Approved	
01	*	*	06	*	*	Weight: Error: No reference Surface: Error: No reference Volume: Error: No reference
02	*	*	07	*	*	
03	*	*	08	*	*	
04	*	*	09	*	*	
05	*	*	10	*	*	
Basic Part: *				Date: <b>24.04.2017</b>		Sheet / Sheets: <b>1 / 2</b>
Material:				Surface finish:		Size: <b>A3</b>
Title: <b>Dual foam shell for 150 LED Beam</b>				Drawing Nr.: <b>20020230</b>		

Projection angle:  
  
 UNLESS OTHERWISE SPECIFIED  
 DIMENSIONS ARE IN MILLIMETERS  
 [ INCHES ]  
 ANGLES ±X.X° 2 PL ±X.XX

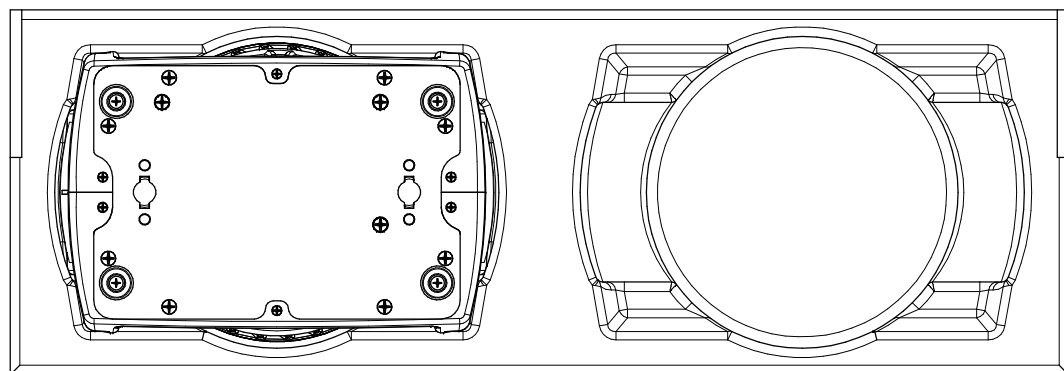


20  
[ ,787 ]

SECTION B-B



393  
[ 15,472 ]



Unprescribed shape and dimensions acc. to 3D in tol. +-0,05.General tolerances acc. to ISO 2768mK.The external shape without overflows.

Must be in accordance with directive 2002/95/EC (RoHS)

The drawing is the property of ROBE lighting s r.o., Czech Republic and must not be transferred, lent or reproduced without an explicit written permission from the company.

Device name: <b>LB 150</b>				Drawn: <b>Oldřich Juřica</b>		
Revision Nr. 01 * * * * * 06 * * * * *				Note: *		
Revision Nr. 02 * * * * * 07 * * * * *						Weight: Error: No reference Surface: Error: No reference Volume: Error: No reference
Revision Nr. 03 * * * * * 08 * * * * *						
Revision Nr. 04 * * * * * 09 * * * * *						
Revision Nr. 05 * * * * * 10 * * * * *						
Basic Part: *				Date: <b>24.04.2017</b>		Sheet / Sheets: <b>2 / 2</b>
Material:				Surface finish:		Size: Drawing Nr.:
Title: <b>Dual foam shell for 150 LED Beam</b>				A3		<b>20020230</b>

Projection angle:  
  
 UNLESS OTHERWISE SPECIFIED  
 DIMENSIONS ARE IN MILLIMETERS  
 [ INCHES ]  
 ANGLES ±X.X° 2 PL ±X.XX